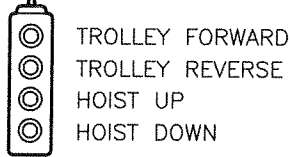
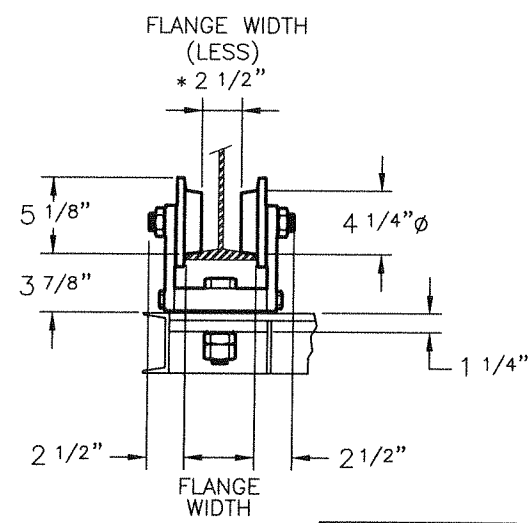


ALL DIMENSIONS ARE FOR REFERENCE ONLY AND SUBJECT TO CHANGE WITHOUT NOTICE



P.B. STATION (OPTIONAL)



TROLLEYS

FOR LETTER DESIGNATIONS - SEE CATALOG



1 to 3 TON TWIN HOOK MONORAIL HOISTS (B TYPE)

CONTACT SATURN:
TEL: 1-800-631-4473
www.saturnoe.com

DRAWING NO.:
WB-23-PT

* LESS 1 5/8" FOR PATENTED TRACK WITH NARROW WHEELS