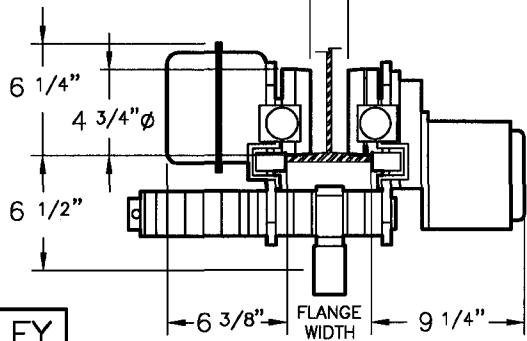


○ TROLLEY FORWARD
 ○ TROLLEY REVERSE
 ○ HOIST UP
 ○ HOIST DOWN
 P.B. STATION

TROLLEY

FLANGE WIDTH
 (LESS)
 2 5/8"



ALL DIMENSIONS ARE
 FOR REFERENCE ONLY
 AND SUBJECT TO CHANGE
 WITHOUT NOTICE

3 TON CHAIN HOIST W. MOTORIZED TROLLEY	
CONTACT SATURN: TEL: 1-800-631-4473 www.saturnoe.com	DRAWING NO.: WB-26