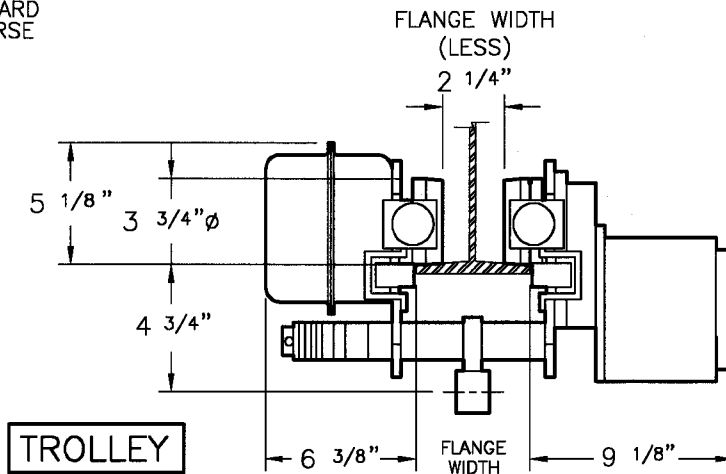


TROLLEY FORWARD
TROLLEY REVERSE
HOIST UP
HOIST DOWN

P.B. STATION

ALL DIMENSIONS ARE FOR REFERENCE ONLY AND SUBJECT TO CHANGE WITHOUT NOTICE



TROLLEY

<p>1 TON CHAIN HOIST W. MOTORIZED TROLLEY</p>	
<p>CONTACT SATURN: TEL: 1-800-631-4473 www.saturnoe.com</p>	<p>DRAWING NO.: WB-25</p>