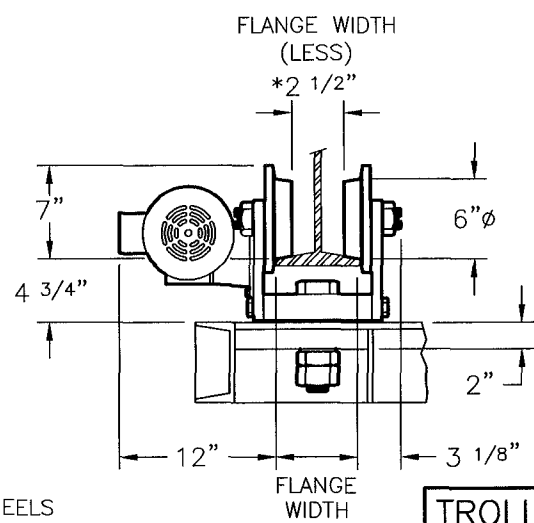


ALL DIMENSIONS ARE FOR REFERENCE ONLY AND SUBJECT TO CHANGE WITHOUT NOTICE

- TROLLEY FORWARD
  - TROLLEY REVERSE
  - HOIST UP
  - HOIST DOWN
- P.B. STATION (OPTIONAL)



**TROLLEYS**

FOR LETTER DESIGNATIONS - SEE CATALOG

\* LESS 1 5/8" FOR PATENTED TRACK WITH NARROW WHEELS

<p>4 to 7.5 TON TWIN HOOK MONORAIL HOISTS (B TYPE)</p>	
<p>CONTACT SATURN: TEL: 1-800-631-4473 www.saturnoe.com</p>	<p>DRAWING NO.: <b>WB-24</b></p>