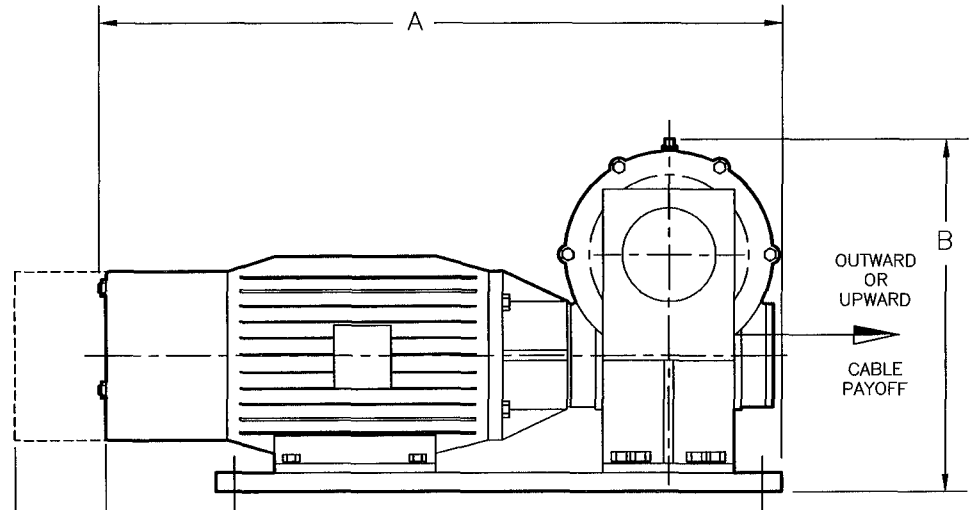
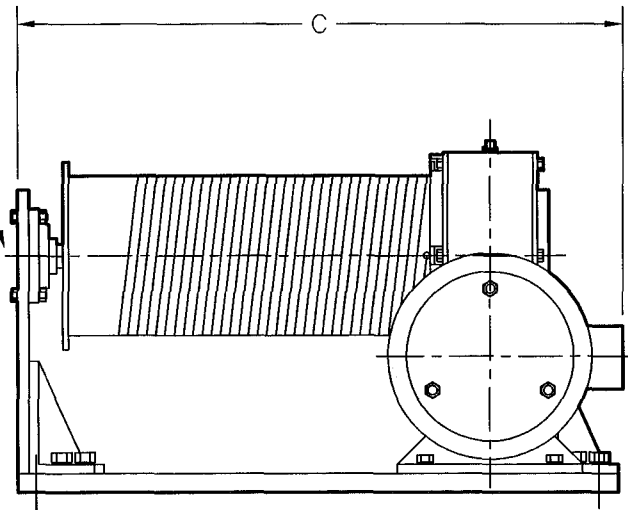



GEAR TYPE LIMIT SWITCH  
STANDARD ON ALL WINCHES (NOT SHOWN)  
(ADD 7-1/2" to "C" DIMENSION)



6"  
SPACE REQUIRED  
TO REMOVE  
BRAKE COVER

ALL DIMENSIONS ARE  
FOR REFERENCE ONLY  
AND SUBJECT TO CHANGE  
WITHOUT NOTICE

<b>SATURN</b> OVERHEAD EQUIPMENT, LLC 	
1000 to 3500 LB BASE MOUNTED SINGLE LINE WINCHES	
CONTACT SATURN: TEL: 1-800-631-4473 www.saturnoe.com	DRAWING NO.: WB-22