

GEAR TYPE  
LIMIT  
SWITCH  
(OPTIONAL)

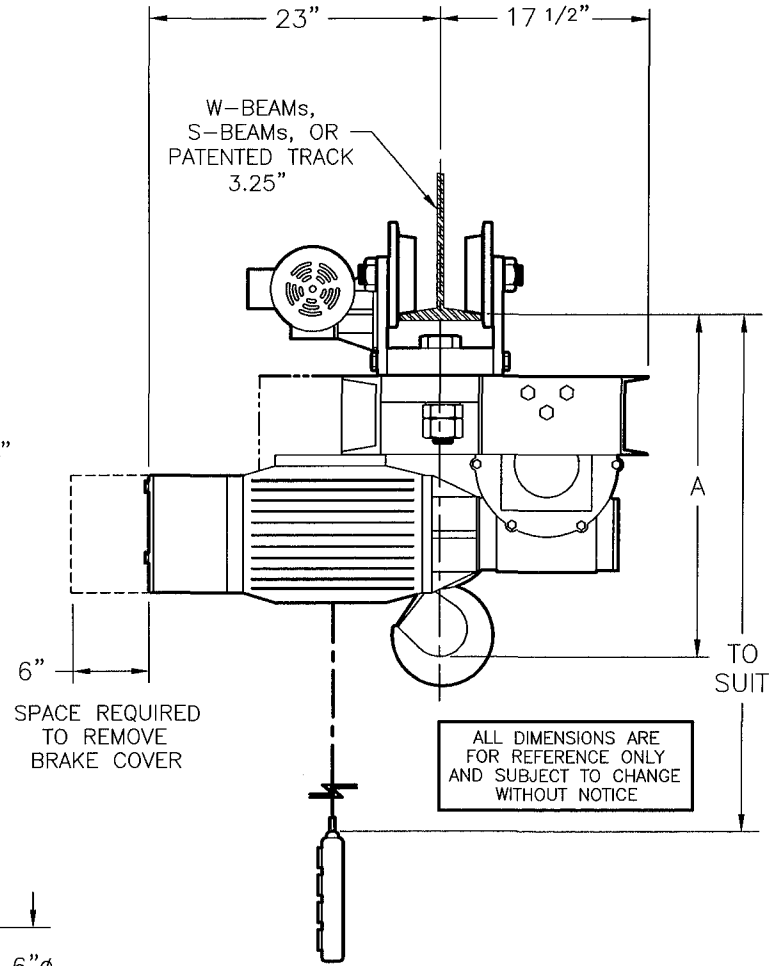
CONTROL BOX

7 1/8"

HOOK  
DRIFT

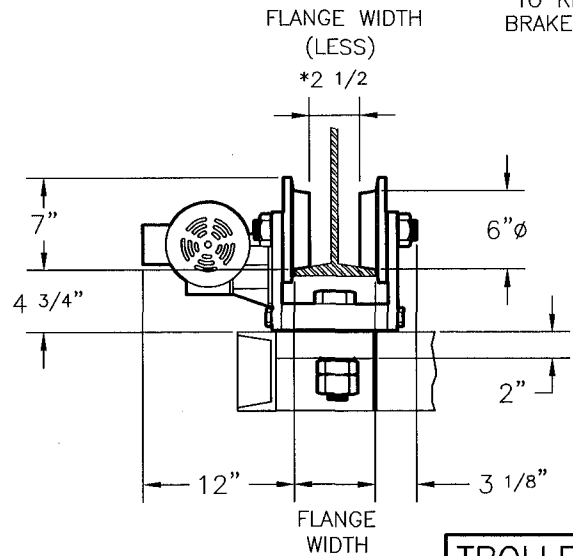
- TROLLEY FORWARD
- TROLLEY REVERSE
- HOIST UP
- HOIST DOWN

P.B. STATION  
(OPTIONAL)



6" SPACE REQUIRED  
TO REMOVE  
BRAKE COVER

ALL DIMENSIONS ARE  
FOR REFERENCE ONLY  
AND SUBJECT TO CHANGE  
WITHOUT NOTICE



FLANGE WIDTH  
(LESS)  
\*2 1/2

FLANGE  
WIDTH

**TROLLEYS**

FOR LETTER DESIGNATIONS - SEE CATALOG

**SATURN**  
OVERHEAD EQUIPMENT, LLC

4 to 5-TON SEMI-LOW HEADROOM  
MONORAIL HOIST (FD-TYPE)

CONTACT SATURN:  
TEL: 1-800-631-4473  
www.saturnoe.com

DRAWING NO.:  
WB-19

\* LESS 1 5/8" FOR PATENTED TRACK WITH NARROW WHEELS