

GEAR TYPE  
LIMIT SWITCH  
(NOT SHOWN)  
(OPTIONAL)

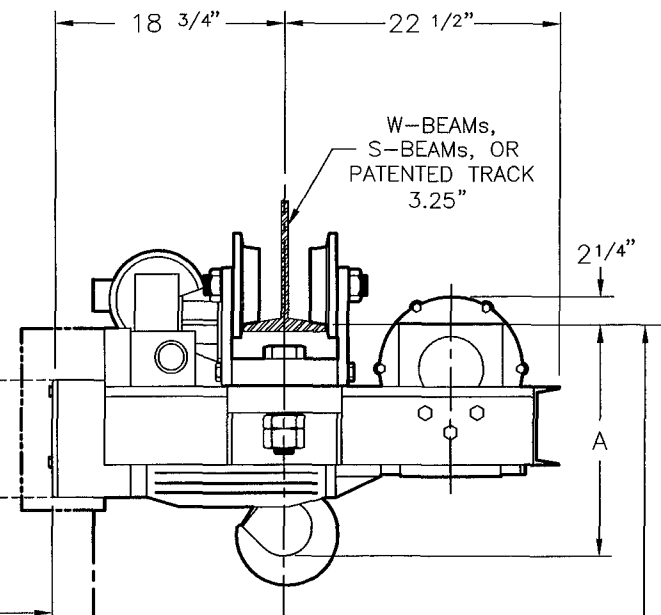
CONTROL BOX

14 1/8"      HOOK  
DRIFT

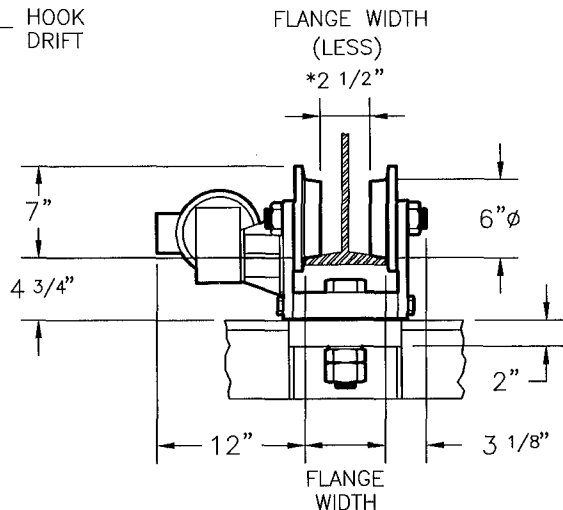
- TROLLEY FORWARD
- TROLLEY REVERSE
- HOIST UP
- HOIST DOWN

P.B. STATION  
(OPTIONAL)

\* LESS 1 5/8" FOR PATENTED TRACK WITH NARROW WHEELS



ALL DIMENSIONS ARE  
FOR REFERENCE ONLY  
AND SUBJECT TO CHANGE  
WITHOUT NOTICE



FOR LETTER DESIGNATIONS - SEE CATALOG

**SATURN**   
OVERHEAD EQUIPMENT, LLC

4 to 5-TON ULTRA-LOW HEADROOM  
MONORAIL HOIST (FE TYPE)

CONTACT SATURN:  
TEL: 1-800-631-4473  
www.saturnoe.com

DRAWING NO.:  
WB-18

TROLLEYS