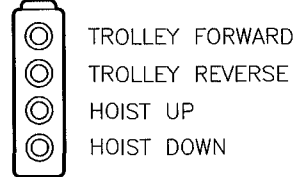
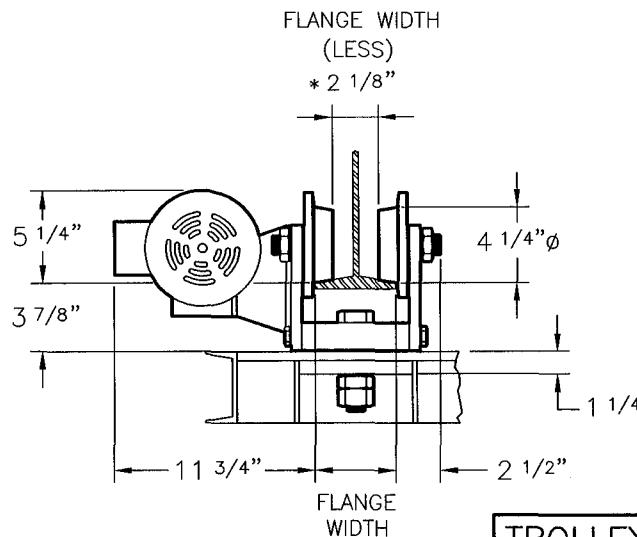


SPACE REQUIRED TO REMOVE BRAKE COVER

ALL DIMENSIONS ARE FOR REFERENCE ONLY AND SUBJECT TO CHANGE WITHOUT NOTICE



P.B. STATION (OPTIONAL)



TROLLEYS

FOR LETTER DESIGNATIONS - SEE CATALOG

SATURN 
OVERHEAD EQUIPMENT, LLC

2 to 3 TON SEMI-LOW HEADROOM MONORAIL HOIST (ED TYPE)

CONTACT SATURN:
TEL: 1-800-631-4473
www.saturnoe.com

DRAWING NO.:
WB-17

* LESS 1 5/8" FOR PATENTED TRACK WITH NARROW WHEELS